



Desktop Household Atmospheric Water Generator

SOLARIS
watergen

Warning

- If the supply cord is damaged, it must be replaced by a special cord or assembly available from the manufacturer or its service agent.
- This appliance is not intended for use by persons (including children) with reduced physical, sensory or mental capabilities, or lack of experience and knowledge, unless they have been given supervision or instruction concerning use of the appliance by a person responsible for their safety.
- Children should be supervised to ensure that they do not play with the appliance.
- This appliance can be used by children aged from 8 years and above and persons with reduced physical, sensory or mental capabilities or lack of experience and knowledge if they have been given supervision or instruction concerning use of the appliance in a safe way and understand the hazards involved.
- Children shall not play with the appliance.

Note: Any changes of the manual for the improvements of the products will not be given.

Dear Users

Welcome to purchase and use desktop household Atmospheric Water Generator and thank you for your trust in our company!

We would like to provide you with healthy drinking water resources with our dedicated service. We hope you will give us your valuable opinions on our work. Before using, please read this manual carefully. After reading, please keep this manual properly.

Water is the essential resource to all living things. Three quarters of the earth's surface is covered by water. The water total volume of about 1.4 billion cubic meters, 96.5% of the water is distributed in the ocean, only 35 million kilometers cubic meters of fresh water available for human life. Most of the fresh water is locked in icecaps and glaciers, lakes, rivers and swamps. The available direct drinking fresh water is less than 1% of the total water of the Earth. With the increasing pollution of the environment, industry and water pipelines, the already poor water resources have become even more scarce. Recent scientific studies show that water pollution is the leading cause of 7% of mortality and disease worldwide.

Most people drink water with the problems of high fluoride, high arsenic, bitter and salty, hard water and others, those elements are serious threat to people's lives and health. The water pollution has unknowingly become the first killer of health.

According to the relevant data report, there is an estimated 12 quintillion litres of water in the earth's atmosphere, that's 10 times more than total fresh water content of the earth surface.

Our Atmospheric Water Generator is designed to provide people high standard, high quality, clean, safe and healthy drinking water by absorbing moisture from air and condensing them into water droplets, and then through an advanced filtration system and sterilization system. What's more, it's beneficial for the environment by reducing the producing of purifying water chemicals and plastic bottles.

KZLN-YY-10-A1

Desktop Household Atmospheric Water Generator

Instruction Manual Catalog

1. Product overview	1
2. Product characteristics	2
3. Safety precautions	3
4. Installatio guide	5
5. Introduction of display screen	7
6. Operatuin and display	8
7. Cartridge and filter replacement	10
8. Common problems and solution	12
9. Technical specifications	14

1. Product Overview

- ▶ This product is produced in strict accordance with QBT5629-2021 "Household and Similar Atmospheric Water Generator", and the water quality is carried out in strict reference to GB5749-2022 "Standards for drinking water quality" of the People's Republic of China.
- ▶ This Atmospheric Water Generator no water resource required. It's a high-tech product that uses advanced technology to turn the moisture contained in the air into the drinking water with high standard, high quality, clean, safe and healthy.
- ▶ The Atmospheric Water Generator is designed for multiple applications. Residential, commercial, industrial, hospitality, medical and marine use.
- ▶ This machine can work under environmental conditions of ambient temperature 5°C-32°C and relative ambient humidity 35%-90%. And with the increase of ambient humidity the machines ability to collect moisture in the air increases.



2. Product Characteristics

- Manufactured from high quality food grade materials.
- Advanced ultraviolet sterilization system to kill bacteria and viruses.
- Microcomputer control technology for automatic operation.
- Multiple protection alarms to keep track of faults.
- Multiple filtration systems were set circulation filtration sterilization to ensure drinking water fresh.

3. Safety precautions

- Do not attempt to repair the machine or power cable.
- Contact your local dealer for service support.
- Only connect the unit to an appropriate power supply.
- Do not pull or damage the power cable.
- It is forbidden to plug and unplug the power plug with wet hands, otherwise it may cause electric shock.
- Do not use in environments with above Class III air pollution.
- Keep the power cable out of reach of children.
- To prevent damage to the machine, disconnect power supply during thunderstorms.
- Disconnect the power supply before cleaning or maintenance.

- Do not use multiple connections on the machines power supply connection. The power outlet must have ground wire, and the power capacity should be not less than 10A.
- Do not place or use the machine in volatile, corrosive or flammable chemical environments.
- Should abnormal sounds, smell, temperature or leakage occur, disconnect from power supply and contact your local dealer for service support.
- Do not place any objects on top of the unit.
- Always keep the unit in an upright position.
- Do not place any flammable objects within 40 cm of the back of the machine because of hot exhaust air.
- When moving the machine, the water tank must be drained to avoid water spillage within the machine.
- To prolong the air filter lifespan place unit in the best possible location.
- The machine should be operated in temperatures above zero.
- Do not remove the back cover of the machine.
- Children must be supervised by parents when operating the machine.


4. Installation Guide

4.1 List of accessories

Before installing , please check whether the accessories are complete according to the following list of accessories. If there is any missing, please contact your seller.



Atmospheric Water Generator

Description	Accessory	Description	Accessory
Water Pan		Air Filter	
Power Cord		Water Filters	
Instruction		Note: Both the air filter and the water purification cartridge element have been installed inside the machine.	

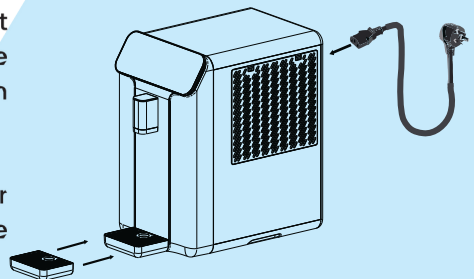
4.2 Product installation

Installation steps:

1. After taking out the complete machine, place it in a proper position according to the requirements of 4.3 and leave the machine in its final position for 4 hours before turning the power on.

2. After standing for 4 hours, take out the power cord, connect it to the machine and plug in power as shown in the figure.

3. Take out the magnetic suction water pan and adsorb it directly below the water outlet as shown in the figure.



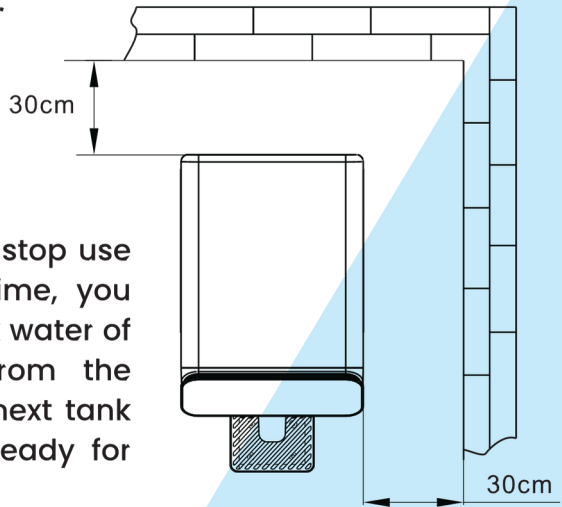
4.3 Installation guide

- The machine must be placed on a firm horizontal surface.
- Avoid fitting the machine at any angles or may result in excessive noise during operation.
- Ensure a minimum gap of 30 cm between machine and walls to allow sufficient cooling and ventilation.
- Leave the machine in its final position for 4 hours before turning the power on.

First use suggestions:

Suggestion 1:

During first time use or stop use for a long period of time, you must drain the first tank water of purified water tank from the water outlet. Then the next tank of water produced is ready for drinking.



Suggestion 2:

To save waiting time, you can add bottle or municipal water to the collection water tank (do not exceed the maximum water tank level) then waits for water treatment by filtration system and sterilization system to get clean and safe water drinking water.

Ensure the machine is positioned with enough ventilation.

5. Display Screen Introduction

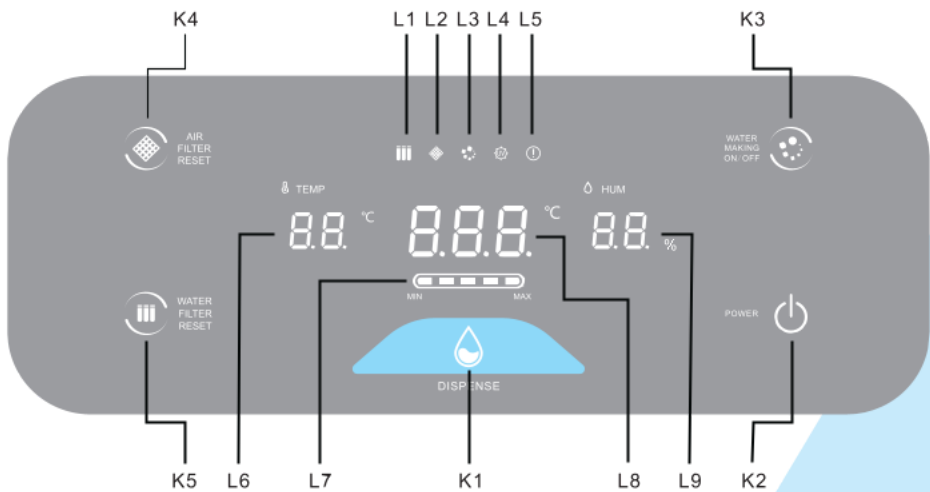


Figure shows the water generator control display, where the symbols indicate the following meanings:

- K1 - Water button
- K2 - Switch button
- K3 - Water production button
- K4 - Air filter reset button
- K5 - Water filter reset button
- L1 - The water filter indicator
- L2- The air filter indicator
- L3 - Water production indicator
- L4 - Sterilization indicator
- L5 - The fault indicator
- L6 - Ambient temperature
- L7 - Purified water tank level
- L8 - Purificated water tank temperature
- L9 - Environmental humidity

6. Operation and display

6.1 Functions of Control Panel Keys



Switch button: touch to turn water making function On and touch again to turn water making function Off.



Water button: touch and hold for dispensing water.

- Only the purified water tank level reach minimum value, touch this button can dispense water.
- Need to wait a minute to produce water after re-powering



Water production button: Flashing indicates water making or refrigeration mode is running. Constantly on indicates machine is ready to make water. Off indicates water making function is Off.



Water filter reset button: after change water filters, touch this button 2s to turn water filter light to stop flash.



Air filter reset button: after change air filter, touch this button 2s to turn air filter light to stop flash.

Reminder: It is important to change the water filters on time to ensure high water quality.

6.2 Display Functions



The water filter indicator lights up, warning the water filter needs to be change.



The air filter indicator lights up, warning the air filter needs to be change.



Water production indicator lights up, shows water making or refrigeration mode is running.



Sterilization indicator lights up shows the sterilization system work. The lights off show the sterilization system stop work.



The fault indicator lights up shows the current equipment fault.



This shows ambient temperature of the room.
When the temperature $< 5^{\circ}\text{C}$, it will flash.



This shows the water level of purified water tank.



This shows the water temperature of purified water tank.

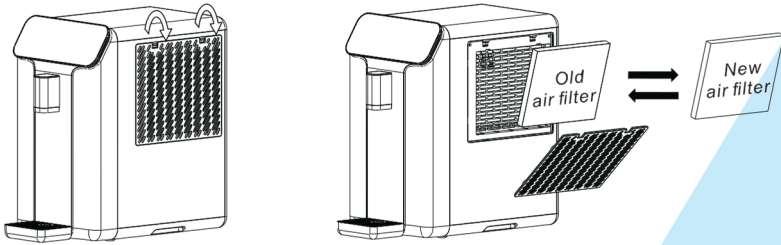


This shows the ambient humidity in the room.
When the humidity $< 35\%$, it will flash.

7. Water Filter And Air Filter Replacement

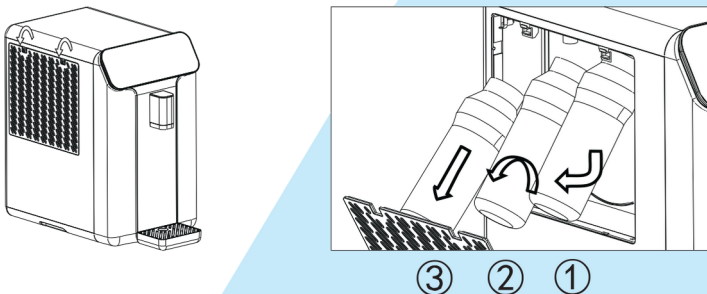
7.1 Air filter replacement

When the air filter needs to be replaced, press the buttons on both sides of the top of the filter shield from the right side of the display to remove it and replace it with a new filter (the reset method please reviews air filter reset button indication).



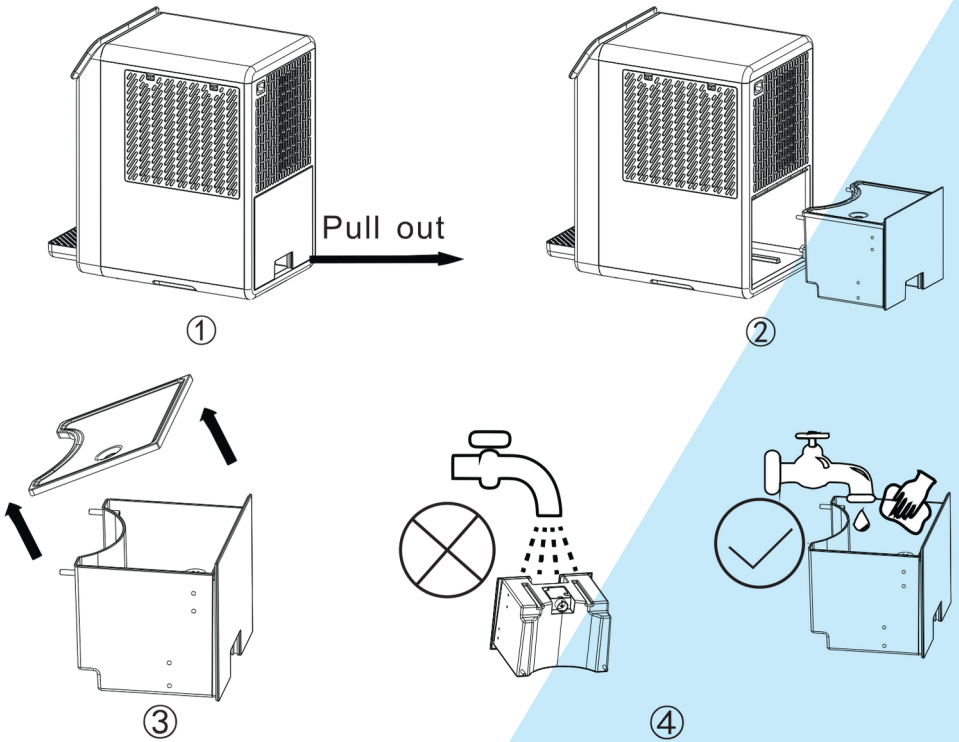
7.2 Water filters replacement

When the water filters needs to be replaced, press the buttons on both sides of the top of the water filter protective cover from the left side of the display to remove it, then rotate each bottle filter clockwise to remove them, and then rotate each new filter bottle counterclockwise to finish replacement (the reset method please reviews water filters reset button indication).



7.3 Washing and cleaning of the water tank

When cleaning the water tank, please do not use corrosive cleaning agents such as alcohol, thinner, etc. And please note that do not immerse the UV module at the bottom of the water tank in any liquid.



**No liquid is allowed Electrical interface*

Warning: Do not open the water generator for non-professionals to avoid accidents. If you need to replace the above air filter and water filter, please contact us to purchase them.

8. Common Problems And Solution

8.1 Problems and Solution

Problem	Possible Cause	Solution
Water production is very slow	<ol style="list-style-type: none"> 1. Ambient temperature or humidity is out of working range. 2. Air circulation is poor. The air intake is blocked or restricted. 3. Whether the air inlet is blocked by objects. 	<ol style="list-style-type: none"> 1. Use the external water supply until the temperature or humidity is in working range. 2. Place the unit in an area with better air circulation. 3. Remove obstructions and ensure machine is not too close to the wall.
Water production stop work	<ol style="list-style-type: none"> 1. Power plug is not inserted. 2. Unsteady Voltage. 3. Stopped water production in a period of time and then restarted it. 4. Ambient temperature or humidity is out of working range. 	<ol style="list-style-type: none"> 1. Plug in the power supply properly. 2. Install a voltage regulator. 3. It's normal phenomenon, because the compressor starts working again with a 3-minute thermal protection function. 4. The compressor will not run if the ambient temperature is below 5 °C or above 32 °C or if the humidity is below 35%.
No water output	<ol style="list-style-type: none"> 1. Low water level light flashing. 2. Purified water tank on the state of recirculation flushing. 	<ol style="list-style-type: none"> 1. Wait until water level in the water tank increases. 2. wait for one minutes after reconnected power.
Loud noise	The machine is not levelled correctly. Result in the force of the supporting feets is non- uniform.	The machine is not levelled correctly. Result in the force of the supporting feets is non-uniform.
The machine is leaking water	If the machine was moved or not levelled correctly the water tank may have spilled.	Dry off the machine. If the leak continues unplug the machine and contact local service centre.

8.2 Fault Codes

Fault Message	Fault Code	Fault Description
Temperature and humidity sensor are faulty	E A	Open circuit/short circuit
Condenser temperature sensor fault 1	E 1	Abnormal resistance value (overcooling/overheating)
Condenser temperature sensor fault 2	E 2	Open circuit
Condenser temperature sensor fault 3	E 3	Short circuit
Condenser temperature sensor fault 1	E 4	Abnormal resistance value (overcooling/overheating)
Condenser temperature sensor fault 2	E 5	Open circuit
Condenser temperature sensor fault 3	E 6	Short circuit
Defrost abnormal	E 7	Under the condition of temperature >5°C and relative humidity >35%, enter defrost mode for 2 consecutive times
Collection water tank level switch fault	E 8	Signal acquisition abnormality (high water level and low water level signal were cut-off)
Purificated water tank level switch fault	E 9	Signal acquisition abnormality (high water level signal on, low water level signal off)

Note: The fault code will be displayed when the fault light flashes, please contact your local dealer for service support when the fault code appears, do not disassemble and repair the machine by yourself.

9. Technical Specifications

Rated water production	10 L/D(30°C/80%RH)
Power supply	AC 115V 60 Hz
Working voltage	AC 110-120V
Compressor type	Piston type
Rated power of water production	230W
Rated total power	245W
Refrigerant work substance	R134a
Refrigerant filling volume	80g
Water temperature	10-14°C
Discharge flow rate	(MAX) 1.2L/M
Applicable environmental range	Temperature: 5-32°C
	Humidity: 35-90%RH
Air filtration system	Medium efficiency composite filter
Water purification system	PAC+UF+CB
Germicidal system	UVC
Water tank volume	Water collection tank: 3.8L
	Drinking water tank: 1.2L
Product Size (without spout)	260mmx368mmx445mm
Package size	324mm×483mmx533mm

Note: Any changes of the manual for the improvements of the products will not be given.